

Sail away

Make a boat like the one in the book.



Adult supervision essential

Involve and talk with your child as much as possible.

BOX BOAT

You will need:

- copy of 'how to make' diagram
- one box (large or small)
- scissors
- tape
- long cardboard roll
- piece of fabric for sail
- coloured paper, crayons, paint, etc for decorating

Instructions

See instructions on next page for boat construction.

Once you've made the boat you can decorate it with coloured paper, paint, etc.

Ideas

- Put your child's toys in the boat. Count how many you can fit in.
- Make the other activity for this book and go fishing.

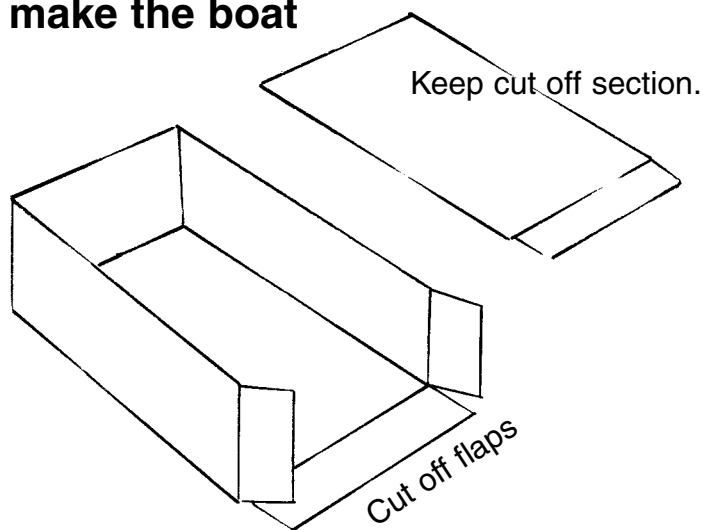
More Ideas

When you are out and about try and find numbers on shop windows, car number plates, street signs etc...

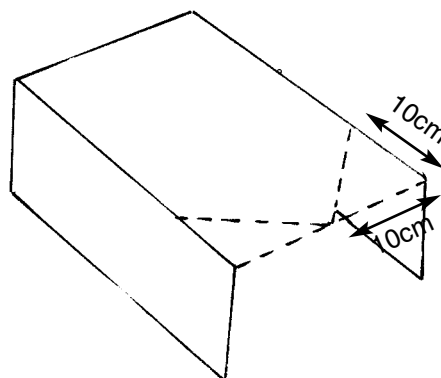
Sing number songs together. Try:

- Five Little Ducks
- Ten In The Bed
- 1,2,3,4,5 Once I Caught A Fish Alive
- Baa Baa Black Sheep

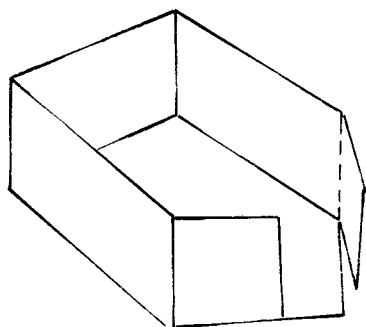
How to make the boat



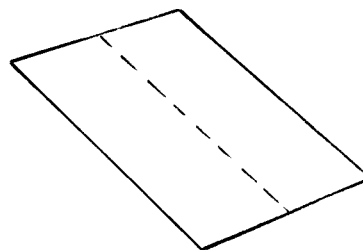
Choose any sized box and cut one of the large sides off. If you are using a large box (like a nappy box) you may like to cut the box down in height.



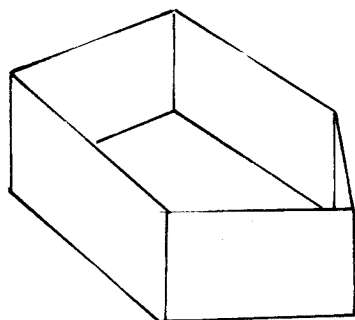
Turn box upside down and measure the centre. Measure the same length down each side of the box (eg; if the centre point is 10cm, measure 10cm down the sides). Cut triangular front of boat.



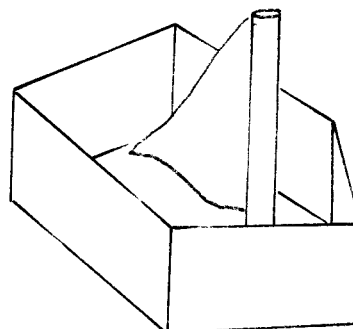
Turn box back up the right way and fold flaps in.



Cut a strip the same height as box from the off-cut piece of cardboard.



Tape off-cut on to front of boat, folding at the centre.



Tape cardboard roll to base of boat for a mast and cut and tape a triangular piece of fabric for the sail.